

Merry Fisher

795 Serie 2

Sport

Merry Fisher 795 SPORT serie 2 - 06/2023

Merry Fisher 795 Sport Serie2, take to Sea!



SUMMARY

- SPECIFICATIONS
- KEY POINTS
- EXTERIOR
- INTERIOR
- ATMOSPHERES
- ELECTRONIC PACKAGES
- TECHNICAL DATAS



JEANNEAU



MAIN SPECIFICATIONS

Overall length :

With options 7,19 m

Without options 8,14 m

Hull length 6,97 m

Overall beam 2,82 m

Draft..... 0,92 m

Air draft 2,36 m

Weight (without engine) 2 177 Kg

Fuel capacity 280 L

Water capacity 100 L

Cab..... 1

Berth2

Max engine power 250 HP / 186 Kw

EC categoryC – 9

DesignersCentkowski & Denert design /
..... Jeanneau design

MERRY FISHER 795 SPORT Serie2, take the sea !

This boat is created for adventurous cruisers seeking new landscapes and intense experiences. Between exploring inlets, diving or snorkelling to observe the sea bottom, surfing or kitesurfing for intense sensations, and let's not forget fishing, the list of possible activities is long!

The new hull shines in her versatility, compatible with engines starting at 150 HP and up to 250 HP maximum engine power, for even more fun.

On the exterior

The heritage of the line continues. This new boat offers large living areas, as well as an excellent flow of movement, due to deeply recessed sidedecks for safe passage between the aft and forward cockpits or to follow the catch, when on a fishing outing.

The generously sized open aft cockpit features a superb saloon, completely convertible to adapt to your needs. The three bench seats fold up to provide more open space.

The forward cockpit offers an unequalled level of comfort aboard a boat of this size, as this vast space, safe for fishing, can be transformed easily into a forward saloon for the family or a sundeck.

On the interior

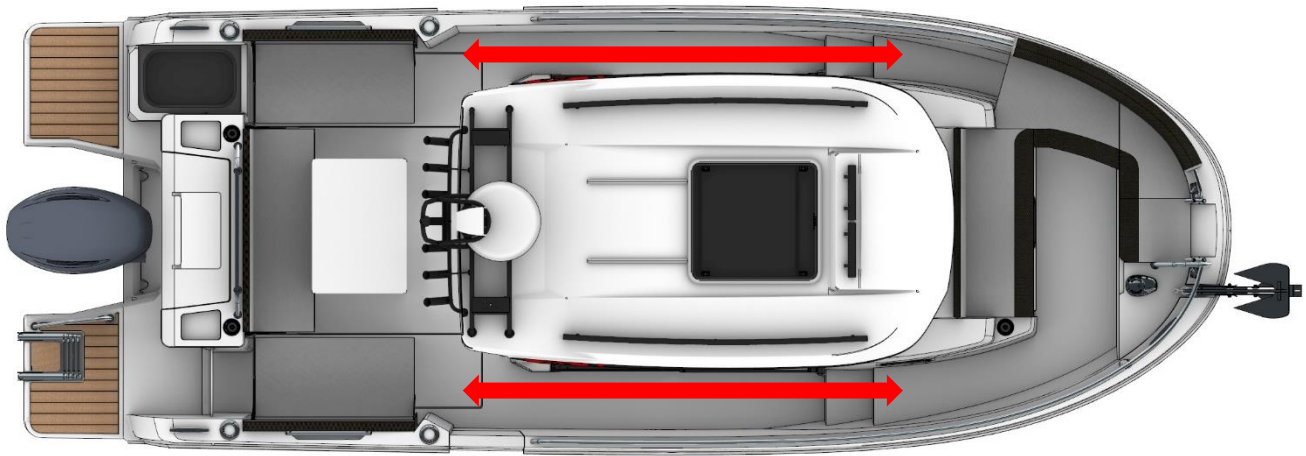
The interior is offered in two versions:

- A first version with a large aft sliding glass door, optimizing flow of movement to and from the exterior, with additional access by one or two side doors;
- A second version favours interior comfort, with a softer atmosphere, additional seating, and a saloon with facing seating which is accessed by two immense side doors. This second version is particularly attractive because it features an optional exterior galley with a gas stove or plancha.

The cabin is equipped with a large berth as well as a private head compartment.

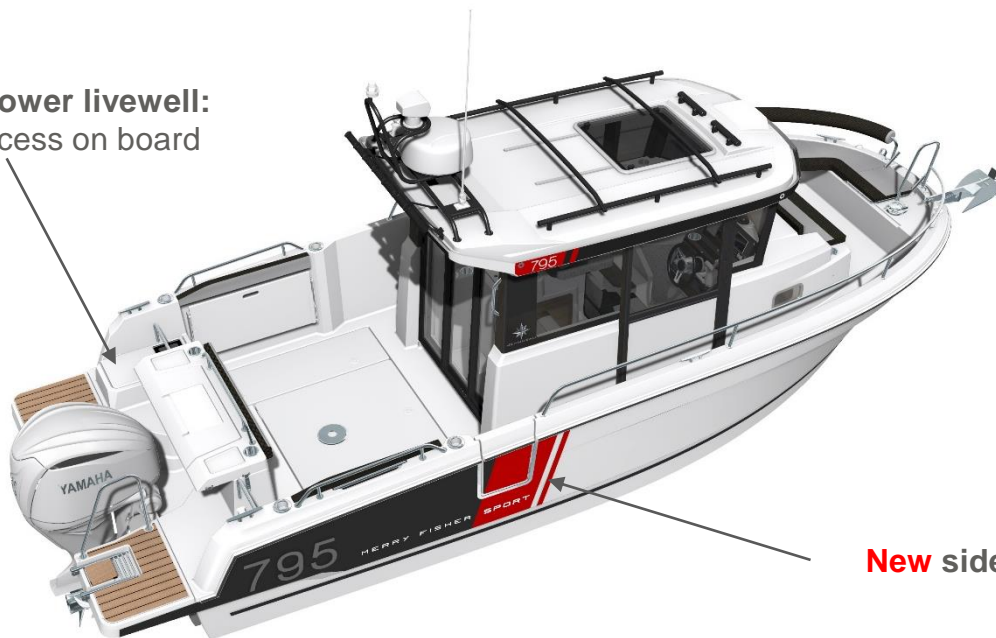
The Merry Fisher 795 Sport Série2 has been entirely designed to offer exclusive moments close to nature, privileging outdoor spaces while offering protection from the elements while cruising.

Two big recessed side decks
Perfect and safe circulation



AFT COCKPIT LAYOUT

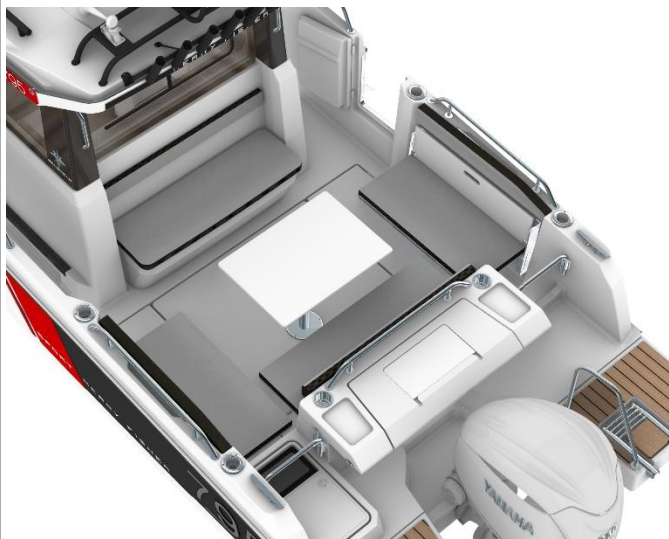
Larger and lower livewell:
Excellent access on board



New side door

Largest aft cockpit of the market:
Fully convertible
3 folding benches

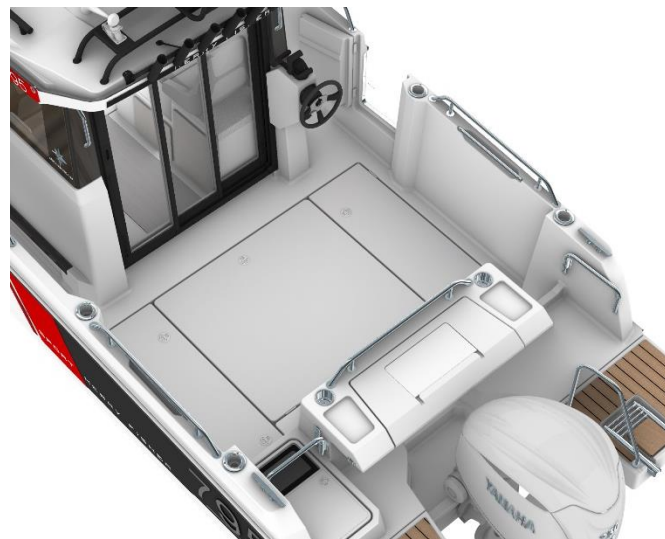
AFT COCKPIT LAYOUT



1 door version

=

INTERIOR & EXTERIOR more comfortable



2 doors version

=

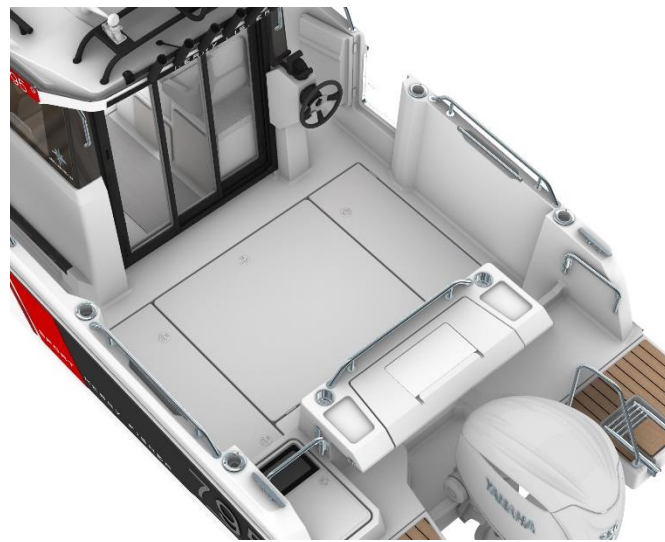
Perfect circulation

Option: Both versions can be fitted with an additional side door on portside

AFT COCKPIT LAYOUT



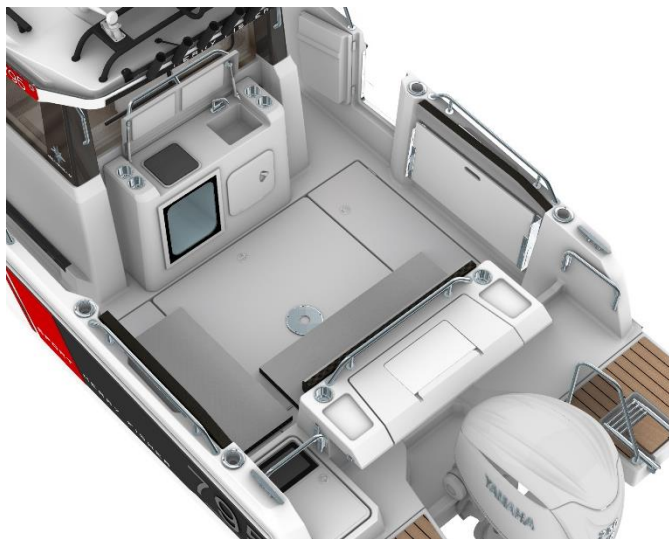
1 door version



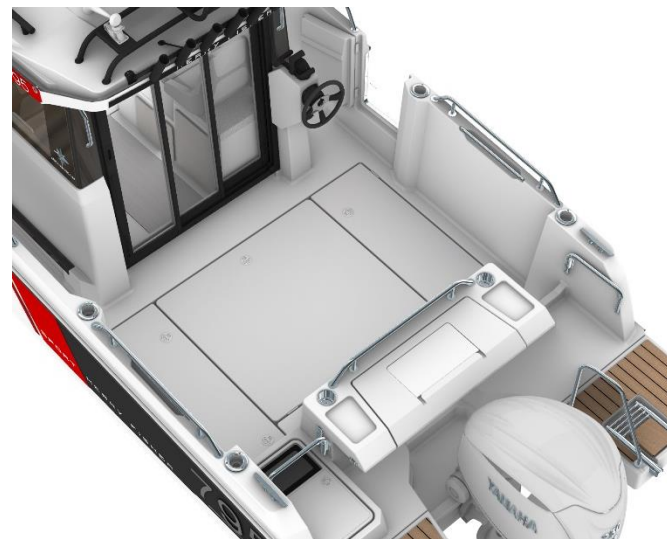
2 doors version

New option : EXTERIOR GALLEY (with plancha or livewell)

AFT COCKPIT LAYOUT



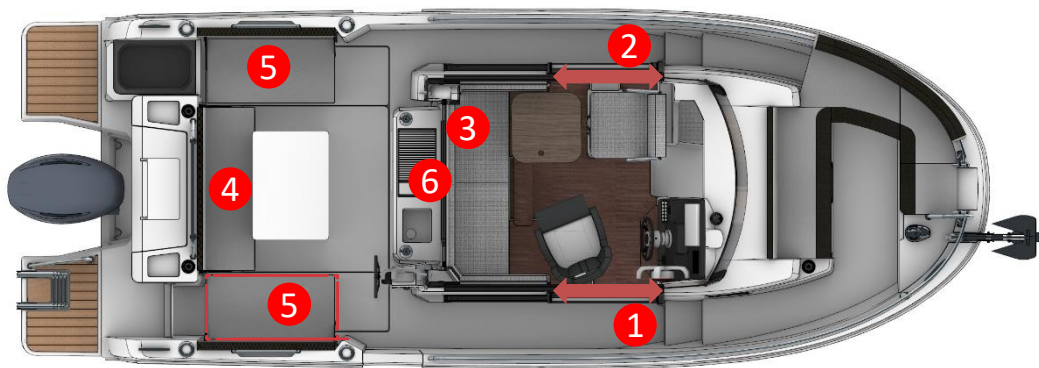
1 door version



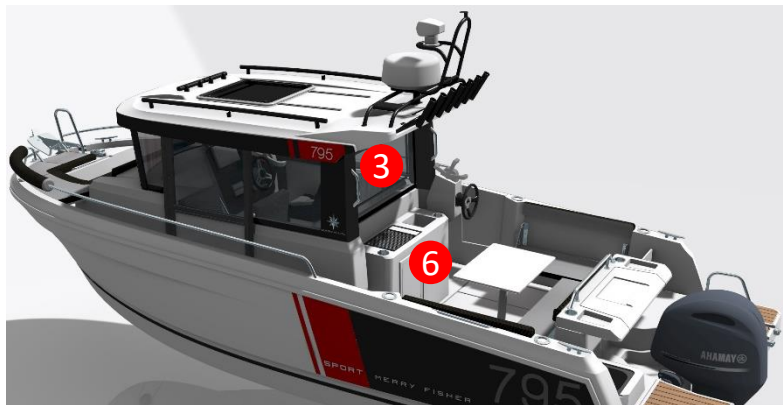
2 doors version

New option : EXTERIOR GALLEY (with plancha or livewell)

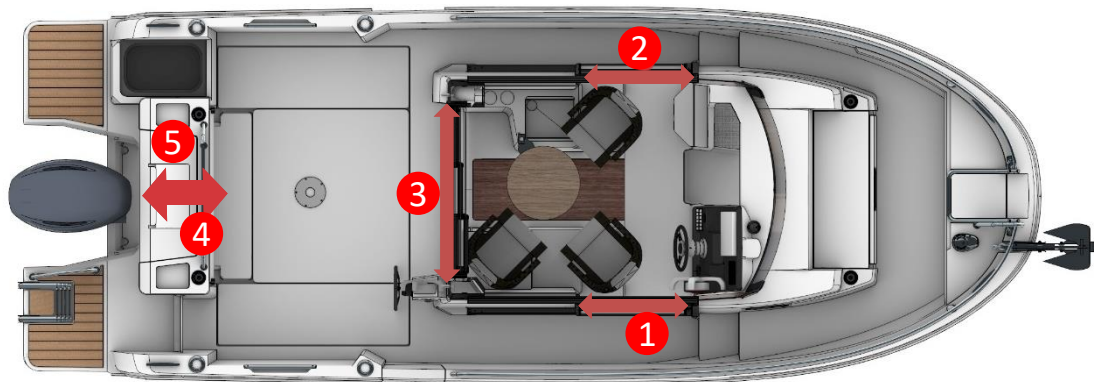
COMFORT VERSION (1/2 DOORS)



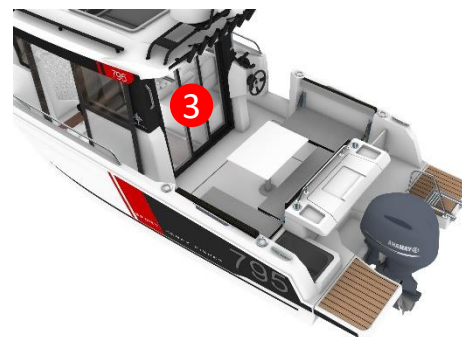
- 1 XXL starboard door (standard)
- 2 XXL portside door (option)
- 3 Aft window (standard)
- 4 Folding aft bench (standard)
- 5 Folding side benches (option)
- 6 Aft bench (option)
And / or
New exterior galley (option)



2-DOORS VERSION : SIDE DOOR + AFT BAY WINDOW



- 1 XXL starboard door (standard)
- 2 XXL portside door (option)
- 3 3-leaf sliding bay window (standard)
- 4 Folding aft bench (standard)
- 5 Sliding fishing table

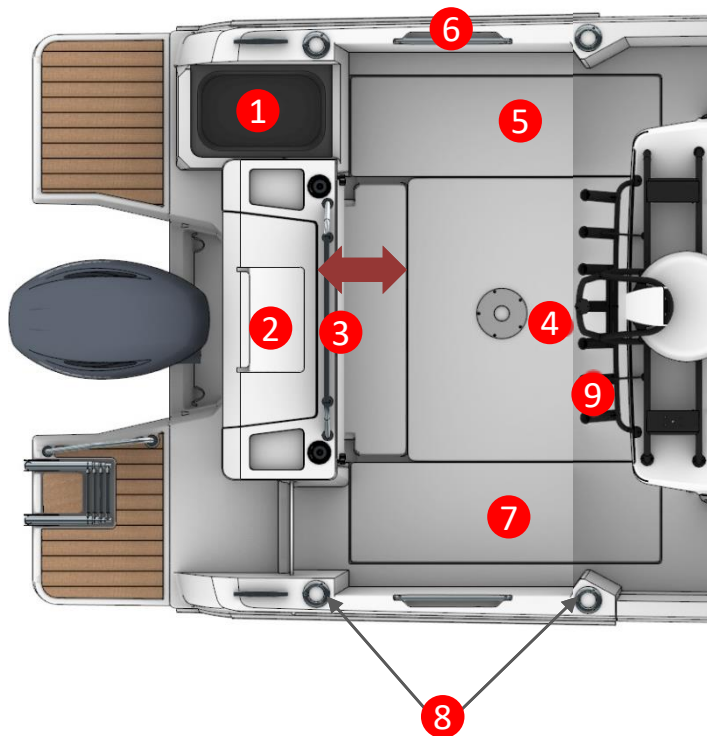


AN OPTIMIZED COCKPIT FOR FISHING

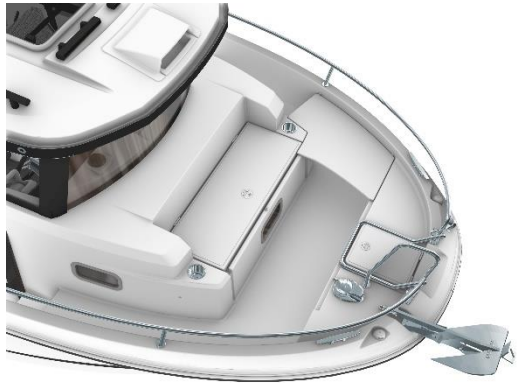
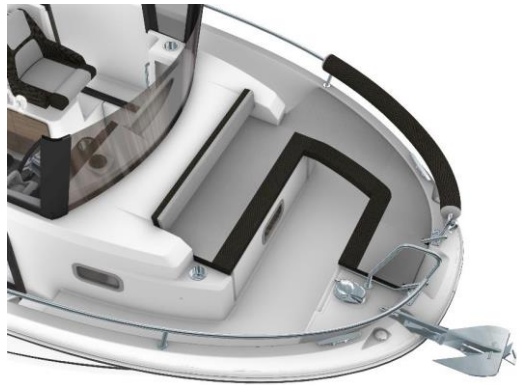
- 1 Livewell
- 2 Sliding fishing table with handrail, chopping board, cup holders
- 3 Folding aft bench
- 4 Central cockpit locker
- 5 2 side cockpit lockers
- 6 Additional side handrails + planking roll
- 7 Fish tank
- 8 Many rod holders

Your choice:

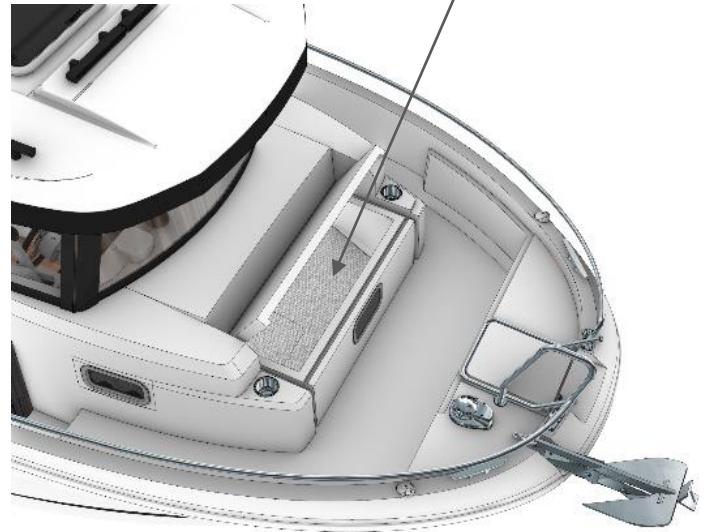
- 9 Additional rod holders on the roof
- 9 Sliding cockpit sun awning



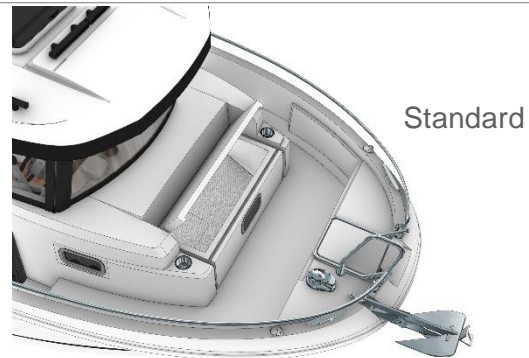
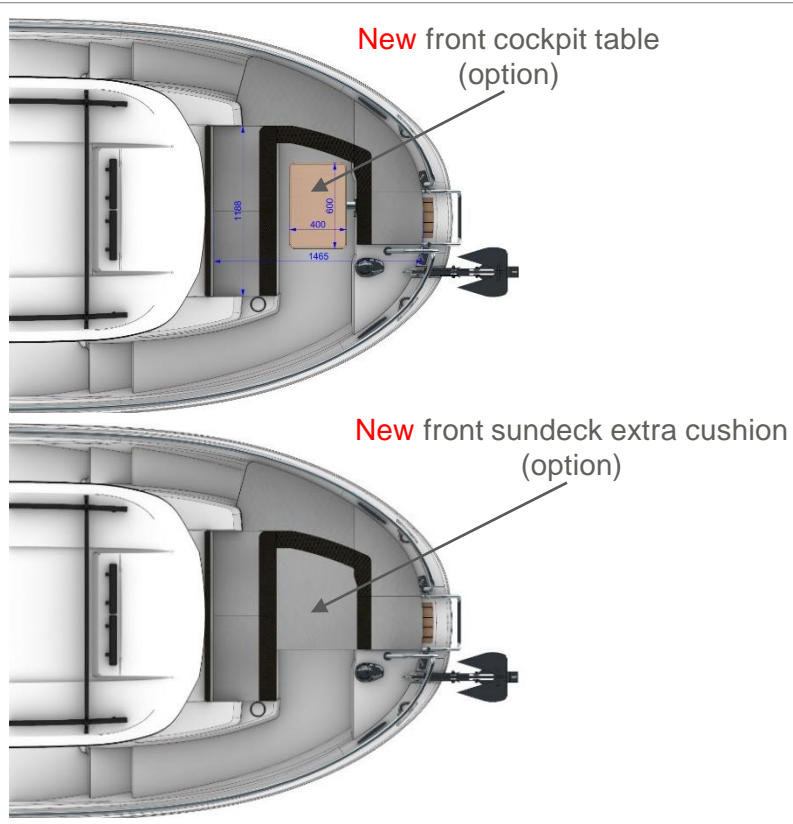
A TRUE FRONT COCKPIT

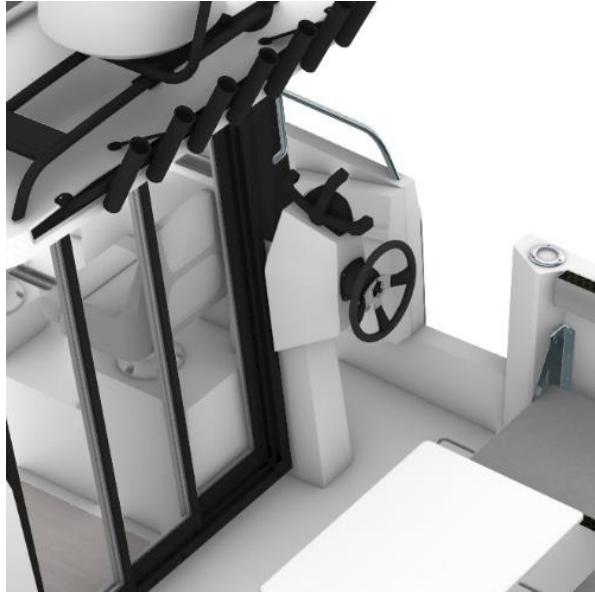


New opening cover
(ventilation, direct access for storage)



A TRUE FRONT COCKPIT





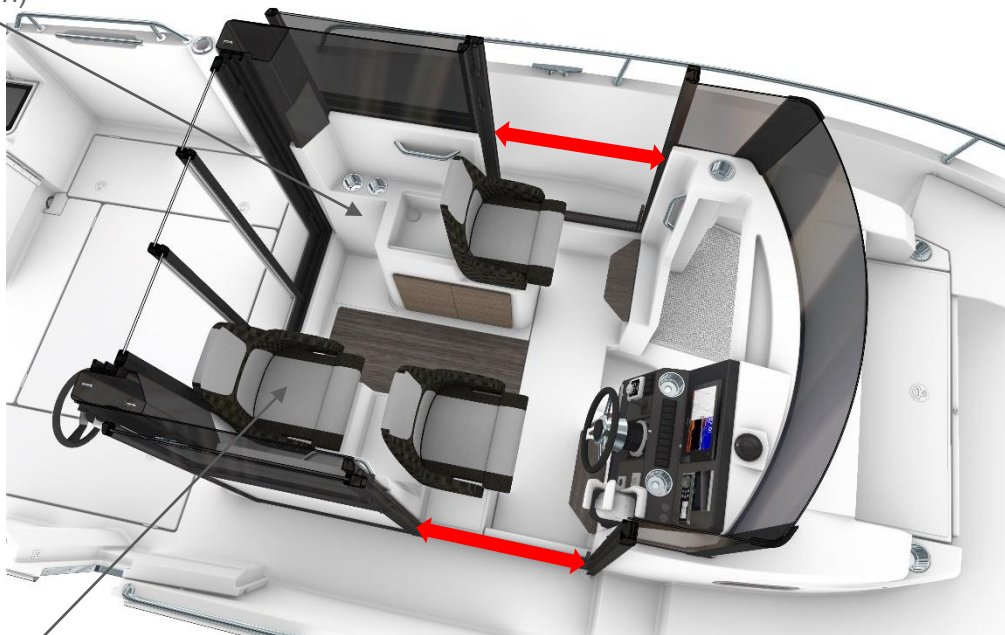
Auxiliary pilot station in the cockpit

(for low speed use only)

Only sold as Yamaha pre-rigging double steering electric

PERFECT CIRCULATION VERSION (2 / 3 DOORS)

Galley cabinet with sink
(option)



3rd pilot seat
(option)

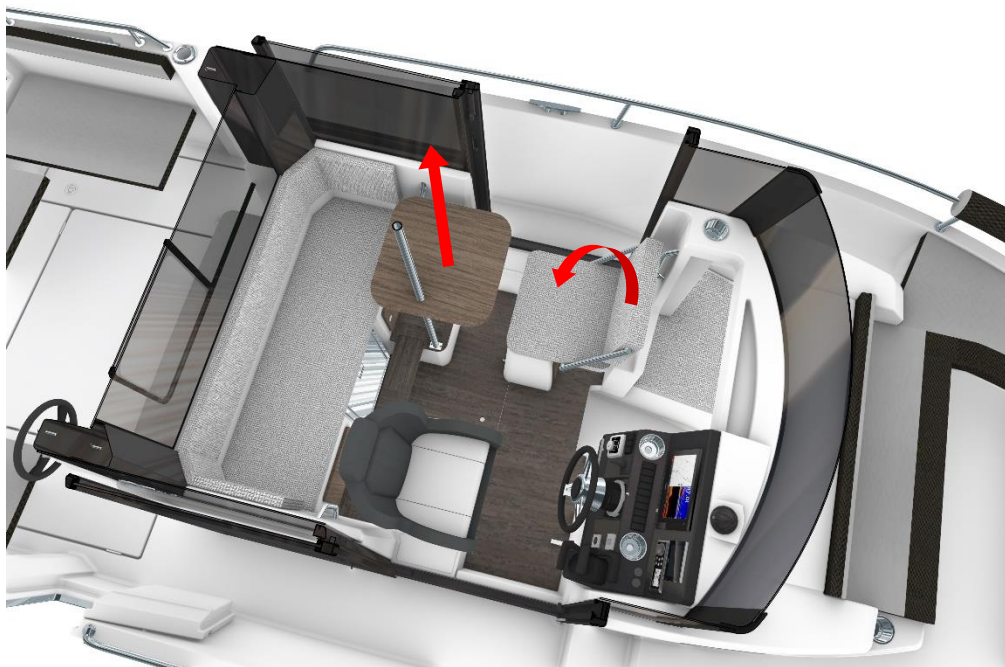
New XXL side doors
(portside door in option)

COMFORT VERSION (1 / 2 DOORS)



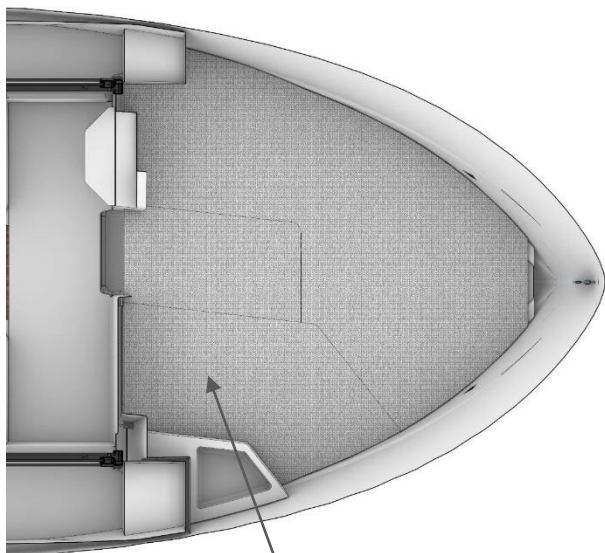
New Jeanneau co-pilot bench

COMFORT VERSION (1 / 2 DOORS)

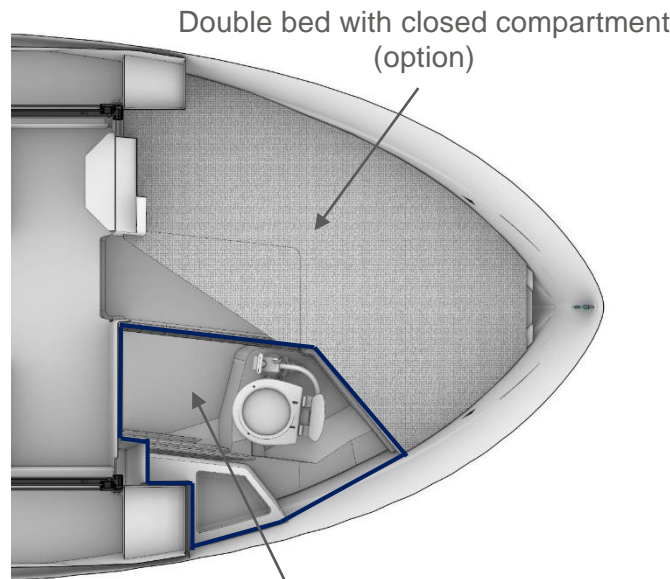


Saloon table: can be stored under the ceiling

CABIN LAYOUT



Double bed without closed compartment
(option)



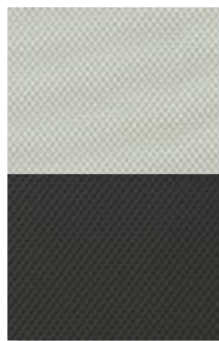
Double bed with closed compartment
(option)

Closed toilet compartment
(option)

MERRY FISHER

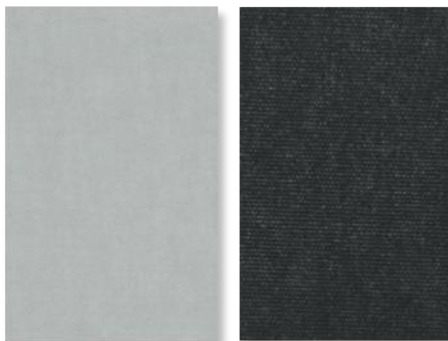
EXTERIOR / EXTERIOR

**SELLERIE /
UPHOLSTERY**



**DIAMANTE
MOONLIGHT /
DIAMANTE
CARBON**

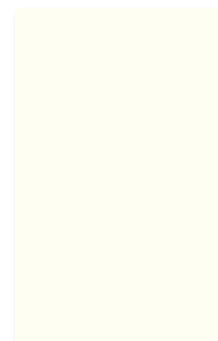
**CAPOTAGES /
AWNINGS**



**SUNBRELLA
SILVER**

**SUNBRELLA
GRAPHITE**

**PROTECTIONS /
COVERS**



**PVC
STAMOID
WHITE**

MERRY FISHER

INTERIOR / INTERIOR

**SELLERIE /
UPHOLSTERY**



JUMBO SILVER

**MENUISERIES (Standard) /
WOOD**

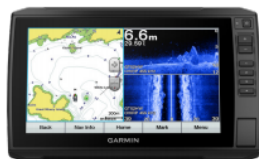
**MEUBLES /
FURNITURES
WALNUT**

**FLOORBOARD /
PLANCHERS
BROWN OAK**



ELECTRONIC PACK

ECHOMAP UHD 92sv
Chartplotter/Sonar combo with 9"
keyed-assist touchscreen display.

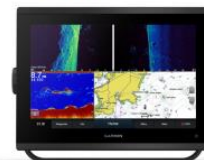


Garmin GT23M-TM
Mid-Band CHIRP Traditional /
CHIRP ClearVü
Depth and Temperature

UPGRADE

1 GPSMAP 1223xsv (12") INSTEAD OF AN ECHOMAP UHD 92sv (9")

GPSMAP 1223xsc
MFD with multitouch 12" screen



OPTION

FIXED-MOUNT VHF RADIO
(AVAILABLE IN BOTH US/CANADA & INTERNATIONAL STANDARDS)

VHF 215i AIS
VHF radio with integrated AIS receiver
(1W / 25W)



LONGUEURS ARBRES MOTEURS / HEIGHT OF OUTBOARD ENGINES SHAFTS

		Pied d'embase / Shaft length	Longueur en mm / Lenght in mm	Longueur en pouces / Lenght in inches	YAMAHA	MERCURY	HONDA	SUZUKI
Merry Fisher 605 Série²	mono / single	LONG	508	20"	TL	L	L	L
Merry Fisher 695 Série² / 695 SPORT Série²	mono / single	LONG	508	20"	TL	L	L	L
Merry Fisher 795 Série² / 795 SPORT Série²	mono / single	EXTRA LONG	635	25"	TX	XL	X	X
Merry Fisher 895 / 895 SPORT	mono / single	ULTRA LONG	762	30"	TU	XXL	XX	XX
	bi-moteur / twin	EXTRA LONG	635	25"	TX	XL	X	X
Merry Fisher 1095 / 1095 Fly	bi-moteur / twin	ULTRA LONG	762	30"	TU	XXL	XX	XX

RÉGIMES - VITESSES - CONSOMMATION / RPM - SPEED - CONSUMPTION

Bateaux / Boats	Moteur / Engine	Hélice / Propeller(s)	Charge / Loading (kg)	Régime maxi (T/mn) / Max: Rpm	Vitesse maxi (nœuds) / Max speed (knots)	Conso* (L/h) / Conso* (L/h)	Régime croisière (T/mn) / Cruising Rpm	Vitesse croisière (nœuds) / Cruising speed (knots)	Conso* (L/h) / Conso* (L/h)
Merry Fisher 605 Serie ²	YAMAHA F100 LB	K12 TALON	2122 Kg	5800	24,1	38,9	5000	19,3	35,1
	YAMAHA F115 LB	K12 TALON	2122 Kg	6300	26,3	41,9	5000	19,1	25,7
Merry Fisher 695 Serie ²	YAMAHA F115 LB	K12 TALON ALU	2042 Kg	5800	23,5	62,1	5000	18,4	42,6
	YAMAHA F150 LB	M14 Reliance	2111 Kg	5800	31,2	62,1	4500	21,5	34,1
	YAMAHA F175 LCA	M14 Reliance	2147 Kg	5800	33,4	64,7	4500	24,5	34,4
Merry Fisher 795 Serie ²	YAMAHA F150 XB	M13 Reliance	3371 Kg	5700	26,3	58,2	5000	21,2	42,1
	YAMAHA F200 XCA	M13 Reliance	3364 Kg	5900	29,6	75,1	4500	20,1	38,4
	YAMAHA F225 XCB	T13 SALTWATER	3422 Kg	5700	32,5	85,2	4500	25,0	53,1
	YAMAHA F250 XCB	T15 SALTWATER	3422 Kg	5600	34,3	97,0	4500	27,1	65,4
Merry Fisher 895	YAMAHA F250 XCB	T13 SALTWATER	3722 Kg	5800	33,2	94,0	4500	24,3	54,2
	YAMAHA 300 BETU	T13 SWSDS	4618 Kg	6000	29,3	101,5	5000	21,3	75,5
Merry Fisher 895 Offshore	YAMAHA 2 x F & LF 150 XCA	M14 Reliance	5050 Kg	6000	32,2	111,3	4500	20,4	61,6
	YAMAHA 2 x F & LF 200 XCA	M15 Reliance SDS	5014 Kg	6000	36,8	149,1	4500	21,2	59,1
Merry Fisher 1095	YAMAHA 2 x F & LF 300 UCB	T15 SALTWATER	7446 Kg	6000	37,6	205,0	4000	23,3	93,8
Merry Fisher 1095 Fly	YAMAHA 2 x F & LF 300 UCB	T15 SALTWATER	8609 Kg	5900	36,2	200,7	4500	25,3	115,7
Merry Fisher 695 Sport Serie ²	YAMAHA F115 LB	K12 TALON ALU	2140 Kg	6000	22,7	42,1	5000	15,4	26,8
	YAMAHA F150 LCA	M14 Reliance	2133 Kg	5800	30,3	61,2	4500	20,6	33,6
	YAMAHA F175 LCA	M14 Reliance	2222 Kg	5800	31,9	66,2	4500	23,0	36,4
Merry Fisher 795 Sport Serie ²	YAMAHA F200 XCA	T13 Reliance	3380 Kg	5800	30,1	74,4	4500	18,2	38,7
	YAMAHA F225 XCB	T13 SALTWATER	3441 Kg	5700	31,7	82,6	4500	24,5	53,7
	YAMAHA F250 XCB	T13 SALTWATER	3516 Kg	5800	34	93,3	4500	22,25	52,4
Merry Fisher 895 Sport	YAMAHA 2 x F et LF 175 XCA	RH/LH 14 RELIANCE	5769 Kg	6000	34,4	129	4500	23,9	68,1
Merry Fisher 895 Sport Offshore	YAMAHA 2 x F & LF 200 XCA	RH/LH 15 RELIANCE	5679 Kg	6000	37,9	152,2	4500	25,7	79,8
	YAMAHA 2 x F & LF 225 XCB	RH/LH 15 SALTWATER	5814 Kg	6000	40,0	175,8	4000	25,8	85,6
	YAMAHA 2 x F & LF 250 XCB	Saltwater T17 & TL17	5233 Kg	6000	43,2	196,2	4000	30,1	87,9


Essai dans les conditions optimum (carène propre, sans antifouling, bateau-lège...) / Trials in the optimum conditions (clean hull, no antifouling, light displacement)

* Consommation totale du bateau / Total consumption of the boat • ** Test fait avec une ancienne référence d'hélice / test done with an old propeller reference


*** Ce montage nécessite l'installation sur le tableau arrière d'un bracket disponible en option / This installation requires the optional mounting bracket on transom • ND = Non Disponible / No Data.

Ces informations sont données à titre indicatif et peuvent varier selon les conditions d'utilisation, de charge etc... / These average datas are given for guidance and may vary according to sailing conditions, loading etc...


RÉGIMES - VITESSES - CONSOMMATION / RPM - SPEED - CONSUMPTION

Merry Fisher 795 Sport									
		YAMAHA 250cv <u>Caractéristique / Specifications:</u> moteur Hors Bord / Out Board engines: F 250NCBX Hélice / Propeller: T13 SALTWATER							
		Déplacement total du bateau / Total displacement of boat tested: 3516 Kg							
		Regime en tours par minute au tableau de bord / RPM on instrument panel	Vitesse en nœuds moyenne au radar / Average speed on the radar in knots	Consommation moteur en litres par heure / consumption engine in liter an hour	Rendement / Efficiency (L/NM = Liter per Nautical Mile)	Consommation totale en USGal / heure Total consumption in GPH	Rendement / Efficiency (USGal/NM)	Autonomie en NM (avec réserve 20%) /Range in NM (with 20% fuel supply)	Remarques / Comments
		600	2,0 Nds	2,40 l/h	1,23L/NM	,6 USGal/h	,33 USGal/NM	185,3 NM	
1000	3,9 Nds	5,00 l/h	1,28L/NM	1,3 USGal/h	,34 USGal/NM	177,8 NM			
1500	5,5 Nds	7,70 l/h	1,40L/NM	2,0 USGal/h	,37 USGal/NM	162,9 NM			
2000	6,8 Nds	12,70 l/h	1,87L/NM	3,4 USGal/h	,49 USGal/NM	122,1 NM			
2500	7,8 Nds	18,40 l/h	2,36L/NM	4,9 USGal/h	,62 USGal/NM	96,7 NM			
3000	8,0 Nds	23,40 l/h	2,93L/NM	6,2 USGal/h	,77 USGal/NM	77,9 NM			
3500	9,4 Nds	31,80 l/h	3,40L/NM	8,4 USGal/h	,90 USGal/NM	67,0 NM			
4000	13,5 Nds	44,50 l/h	3,31L/NM	11,8 USGal/h	,87 USGal/NM	68,9 NM			
4500	22,3 Nds	52,40 l/h	2,36L/NM	13,8 USGal/h	,62 USGal/NM	96,8 NM			
5000	27,0 Nds	65,80 l/h	2,44L/NM	17,4 USGal/h	,64 USGal/NM	93,4 NM	25% trim		
5500	30,9 Nds	90,60 l/h	2,94L/NM	23,9 USGal/h	,78 USGal/NM	77,6 NM	33% trim		
5800	34,0 Nds	93,30 l/h	2,75L/NM	24,6 USGal/h	,73 USGal/NM	83,0 NM	50% trim		
Conditions optimales théoriques et purement indicatives des essais : /Optimal theoretical conditions, purely indicative for trials : Coque neuve, vent 5nds, mer belle petit clapot, pas d'antifouling / new hull, wind 5 knots, nice little choppy sea, no antifouling									
22/07/2021									

RÉGIMES - VITESSES - CONSOMMATION / RPM - SPEED - CONSUMPTION

Merry Fisher 795 Sport							
		YAMAHA 225cv					
		<u>Caractéristique / Specifications:</u>					
		moteur Hors Bord / Out Board engines: F 225NCBX					
		Hélice / Propeller: T13 SALTWATER					
Déplacement total du bateau / Total displacement of boat tested: 3441 Kg							
Regime en tours par minute au tableau de bord / RPM on instrument panel	Vitesse en nœuds moyenne au radar / Average speed on the radar in knots	Consommation moteur en litres par heure / consumption engine in liter an hour	Rendement / Efficiency (L/NM = Liter per Nautical Mile)	Consommation totale en USGal / heure Total consumption in GPH	Rendement / Efficiency (USGal/NM)	Autonomie en NM (avec réserve 20%) /Range in NM (with 20% fuel supply)	Remarques / Comments
600	1,7 Nds	2,5 l/h	1,47L/NM	,66 USGal/h	,39 USGal/NM	155 NM	
1000	4,1 Nds	4,9 l/h	1,20L/NM	1,29 USGal/h	,32 USGal/NM	191 NM	
1500	5,9 Nds	7,2 l/h	1,22L/NM	1,90 USGal/h	,32 USGal/NM	187 NM	
2000	7,3 Nds	12,4 l/h	1,71L/NM	3,28 USGal/h	,45 USGal/NM	133 NM	
2500	8,2 Nds	18,3 l/h	2,25L/NM	4,83 USGal/h	,59 USGal/NM	102 NM	
3000	8,4 Nds	24,1 l/h	2,87L/NM	6,37 USGal/h	,76 USGal/NM	79 NM	
3500	9,6 Nds	32,2 l/h	3,37L/NM	8,51 USGal/h	,89 USGal/NM	68 NM	
4000	12,7 Nds	45,5 l/h	3,60L/NM	12,02 USGal/h	,95 USGal/NM	63 NM	
4500	24,5 Nds	53,7 l/h	2,20L/NM	14,19 USGal/h	,58 USGal/NM	104 NM	
5000	27,5 Nds	66,2 l/h	2,41L/NM	17,49 USGal/h	,64 USGal/NM	95 NM	25% trim
5500	30,3 Nds	81,2 l/h	2,68L/NM	21,45 USGal/h	,71 USGal/NM	85 NM	50% trim
5800	31,7 Nds	82,6 l/h	2,61L/NM	21,82 USGal/h	,69 USGal/NM	88 NM	75% trim
<u>Conditions optimales théoriques et purement indicatives des essais : /Optimal theoretical conditions, purely indicative for trials :</u>							
Coque neuve, vent 5nds, mer belle petit clapot, pas d'antifouling / new hull, wind 5 knots, nice little choppy sea, no antifouling							
22/07/2021							

RÉGIMES - VITESSES - CONSOMMATION / RPM - SPEED - CONSUMPTION

Merry Fisher 795 Sport							
		YAMAHA 200cv					
		Caractéristique / Specifications: moteur Hors Bord / Out Board engines: F200GETX / XCA Hélice / Propeller: T13 RELIANCE					
Déplacement total du bateau / Total displacement of boat tested: 3380 Kg							
Regime en tours par minute au tableau de bord / RPM on instrument panel	Vitesse en nœuds moyenne au radar / Average speed on the radar in knots	Consommation moteur en litres par heure / consumption engine in liter an hour	Rendement / Efficiency (L/NM = Liter per Nautical Mile)	Consommation totale en USGal par heure / Total consumption in GPH	Rendement / Efficiency (USGal/NM)	Autonomie en NM (avec réserve 20%) / Range in NM (with 20% fuel supply)	Remarques / Comments
600	1,7 Nds	1,5 l/h	,9l/miles	,4 USGal/h	,23 USGal/NM	258 NM	
1000	3,4 Nds	2,7 l/h	,8l/miles	,7 USGal/h	,21 USGal/NM	287 NM	
1500	5,1 Nds	4,5 l/h	,9l/miles	1,2 USGal/h	,24 USGal/NM	256 NM	
2000	6,3 Nds	7,0 l/h	1,1l/miles	1,8 USGal/h	,29 USGal/NM	205 NM	
2500	7,2 Nds	11,5 l/h	1,6l/miles	3,0 USGal/h	,42 USGal/NM	143 NM	
3000	8,0 Nds	15,8 l/h	2,0l/miles	4,2 USGal/h	,52 USGal/NM	115 NM	
3500	9,3 Nds	23,8 l/h	2,6l/miles	6,3 USGal/h	,68 USGal/NM	89 NM	
4000	12,3 Nds	31,4 l/h	2,6l/miles	8,3 USGal/h	,67 USGal/NM	89 NM	
4500	18,2 Nds	38,7 l/h	2,1l/miles	10,2 USGal/h	,56 USGal/NM	107 NM	
5000	23,3 Nds	51,7 l/h	2,2l/miles	13,7 USGal/h	,59 USGal/NM	103 NM	25% trim
5500	26,0 Nds	62,7 l/h	2,4l/miles	16,6 USGal/h	,64 USGal/NM	94 NM	50% trim
5800	29,8 Nds	74,4 l/h	2,5l/miles	19,7 USGal/h	,66 USGal/NM	91 NM	75% trim
Conditions optimales théoriques et purement indicatives des essais: /Optimal theoretical conditions, purely indicative for trials : Coque neuve, vent 5nds, mer belle petit clapot, pas d'antifouling / new hull, wind 5 knots, nice little choppy sea, no antifouling							
21/07/2021							

ATTESTATIONS CE / EC CERTIFICATES

Modèles / Models	Attestation N° / Certificate N°	Longueur coque* / Hull length*	Largeur coque* / Hull beam*	Charge max / Max load	Catégorie / Category	Personnes / Persons	Puissance / Maxi power		Masse maxi moteur / Max engine weight
							Kw	CV / HP	
Merry Fisher 605 Serie ²	B SPB 20046 MM	5,51 m	2,44 m	936 kg	C	6	90	115	230 kg
Merry Fisher 695 Serie ²	B SPB 19075 MM	6,45 m	2,49 m	1 460 kg	C	8	137	175	285 kg
Merry Fisher 695 Sport Serie ²	B SPB 19120 MM	6,45 m	2,49 m	1 560 kg	C	8	137	175	285 kg
Merry Fisher 795 Serie ²	B SPB 20033 MM	6,97 m	2,79 m	1 840 kg	C	9	200	250	315 kg
Merry Fisher 795 Sport Serie ²	B SPB 21057 MM	6,97 m	2,79 m	1 930 kg	C	9	200	250	330 kg
Merry Fisher 895	B SPB 16144 MM	7,98 m	2,93 m	2 270 kg	C	10	257 / 2 x 130	350 / 2 x 175	364 kg / 2 x 235 kg
Merry Fisher 895 Offshore	B SPB 16215 MM	7,98 m	2,93 m	1 840 - 2 160 kg	B - C	6 - 10	257 / 2 x 148	350 / 2 x 200	364 kg / 2 x 291 kg
Merry Fisher 895 Sport	RCDB 0000092	7,98 m	2,94 m	2 200 kg	C	10	2 x 186	2 x 250	2 x 315 kg
Merry Fisher 895 Sport Offshore	RCDB 0000092	7,98 m	2,94 m	1 880 kg	B - C	6 - 10	2 x 147 / 2 x 186	2 x 200 / 2 x 250	2 x 290 kg / 2 x 315 kg
Merry Fisher 1095	B SPB 17129 MM	9,94 m	3,35 m	2 640 - 2 700 - 2 740 kg	B - C - D	8 - 10 - 11	2 x 235	2 x 300	2 x 333 kg
Merry Fisher 1095 Fly	B SPB 19076 MM	9,94 m	3,32 m	2 600 - 2 770 - 2 810 kg	B - C - D	7 - 10 - 11	2 x 235	2 x 300	2 x 333 kg

Pour les homologations en cours toutes les informations doivent être considérées comme provisoires. Les catégories et nombre de personnes indiqués correspondent à la demande faite par le chantier et non à une confirmation / When the EC regulation is in progress, please consider all information as provisional. The categories and number of persons written are requested by the Jeanneau Yard, not confirmed.

* Indiqué sur la DEC (Déclaration Ecrite de Conformité) / * Written on the WSC (Written Statement of Compliance) - ND: Non Disponible / No Data.

KIT AMARRAGE - MOUILLAGE / MOORING - ANCHORING KITS

Bateaux / Boats	MOUILLAGE / ANCHORING							AMARRE / MOORING		PARE-BATTAGES / FENDERS	
	Code / Ref	Ancre / Anchor		Chaîne / Chain		Cablot / Line		Code / Ref	Désignation / detail	Code / Ref	Désignation / detail
CC 5.5 CC / WA	162301	8 kg	Plate / Flat	6 mm	13 m	20 m	10 mm	043143	4 x D12 L8000	189031	4 x 645 x D.150
CC 6.5 CC / DC / WA	162302	10 kg	Plate / Flat	8 mm	15 m	25 m	14 mm	043143	4 x D12 L8000	189031	4 x 645 x D.150
CC 7.5 DC	162302	10 kg	Plate / Flat	8 mm	15 m	25 m	14 mm	043143	4 x D12 L8000	189031	4 x 645 x D.150
CC 7.5 CC / WA Série ³	162302	10 kg	Plate / Flat	8 mm	15 m	25 m	14 mm	043143	4 x D12 L8000	189031	4 x 645 x D.150
CC 9.0 CC / WA	162304	14 kg	Plate / Flat	8 mm	23 m	35 m	14 mm	043143	4 x D12 L8000	189031	4 x 645 x D.150
CC 10.5 WA Serie ²	162305	16 kg	Plate / Flat	10 mm	28 m	40 m	18 mm	043145	4 x D16 L12000	189032	6 x 635 x D.200
CC 12.5 WA	162305	16 kg	Plate / Flat	10 mm	28 m	40 m	18 mm	043145	4 x D16 L12000	189033	6 x 700 x D.250
MF 605 Série ² / 695 / 695 SPORT	162302	10 kg	Plate / Flat	8 mm	15 m	25 m	14 mm	043143	4 x D12 L8000	189031	4 x 645 x D.150
MF 795 Serie ²	162303	12 kg	Plate / Flat	8 mm	18 m	30 m	14 mm	043143	4 x D12 L8000	189031	4 x 645 x D.150
MF 795 SPORT Serie ²	162303	12 kg	Plate / Flat	8 mm	18 m	30 m	14 mm	043143	4 x D12 L8000	189031	4 x 645 x D.150
MF 895	162304	14 kg	Plate / Flat	8 mm	23 m	35 m	14 mm	043143	4 x D12 L8000	189031	4 x 645 x D.150
MF 895 SPORT	162304	14 kg	Plate / Flat	8 mm	23 m	35 m	14 mm	043143	4 x D12 L8000	189031	4 x 645 x D.150
MF 1095 / MF 1095 Fly	162305	16 kg	Plate / Flat	10 mm	28 m	40 m	18 mm	043145	4 x D16 L12000	189032	6 x 635 x D.200

Information on batteries for outboard models
Information sur les batteries des modèles hors-bord

Reminder: since 2016 season, batteries are NO MORE delivered with outboard boats (engine batterie(s), fridge battery, bow thruster battery).

Dealers have to order batteries by themself and to add their prices in boat quotation.






Except for batteries, all other components (wiring, connectors, ...) are still delivered according to current rules, i.e in standard, in pre-riggings or in option. Hereunder you will find infos and specifications of the recommended batteries.

Rappel: depuis la saison 2016, les batteries NE SONT PLUS LIVREES avec les bateaux hors-bord (batterie(s) moteur, batterie pour frigo, batterie de propulseur).

Les concessionnaires doivent commander eux-mêmes les batteries et inclure leur prix dans les devis clients.

En dehors des batteries, les autres composants (câblage, connecteurs, ...) continuent d'être livrés selon les inventaires actuels c'est-à-dire en standard, dans les pré-riggings ou en option selon les cas. Ci-dessous sont indiquées les caractéristiques des batteries recommandées.

	MF605 Série 2	MF695 Série 2	MF695 Sport Série 2	MF795 Série 2	MF795 Sport Série 2	MF895	MF 895 Sport	MF1095 MF1095 Fly	MF 1295 Fly
Engine 1 / Moteur 1	Type 2	Type 2	Type 2	Type 2	Type 2	Type 3	Type 3	Type 2	Type 6
Engine 3 / Moteur 3									Type 6
Engine 2 / Moteur 2	-	-	-	-	-	Type 3	Type 3	Type 2	Type 6
Fridge / Réfrigérateur / Service	Type 2	Type 2	Type 2	Type 2	Type 2	Type 3		Type 2 Type 2 (qty = 2 batteries)	Type 6 Type 6 Type 6 (qty = 3 batteries)
Genset option / Option générateur	-	-	-	-	-	Type 4	Type 4	Type 4	Type 4
Bow thruster option / Option propulseur	-	Type 4	Type 4	Type 4	Type 4	Type 4	Type 4	Type 4 (qty = 2 batteries)	Type 4 (qty = 2 batteries)
Seakeeper option / Option Seakeeper	-	-	-	-	-	-	-	-	Type 6
Climatisation sur batteries / Air conditioning on batteries	-	-	-	Type 7 Type 7 Type 7 (qty=3 batteries)	-	-	-	-	-

	Type 2	Type 3	Type 4	Type 6	Type 7
Description	95 AH DUAL AGM (starting + service)	140 AH DUAL AGM (starting + service)	50 AH dry-fit starting battery with low internal resistance (2,2 mOhm)	100 AH AGM starting battery	90 AH Lithium ion (Lithium fer Phosphate)
Voltage (V)	12 V	12 V	12 V	12 V	12 V
Capacity / Capacité (Ah)	95 20 h	140 20 h	50 20 h	100 20 h	90
Cranking / Intensité au démarrage (A)	850 CEN	750	750	870	
Endurance	360 cycles @ 50%	300 cycles @ 75%	500 cycles @ 75%		> 5000 cycles
Length / Longueur (mm)	353	513	260	330	353
Width / Largeur (mm)	175	189	173	173	175
Height / Hauteur (mm)	190	223	206	240	190
Weight / Poids					13 kg
Terminal position / Position des cosses					
Example / Exemple	Exide Technologie EP800	Exide Technologie EP1200	Exide Technologie EP450	Exide Technologie EM960 (prev. EM1100)	SUPER B Epsilon
Indicative public price / Prix public indicatif (€ ex. VAT)	150 €	350 €	190 €	270 €	1 665 €



This is not a contractual document.
This document was updated in June 2023
It may contain illustrations or text representing
or referring to optional equipment.
If changes appear on our 2024 models,
with regard to equipment or options referred to in this document,
only the current Jeanneau rate will apply.

